

The Kia EV3.



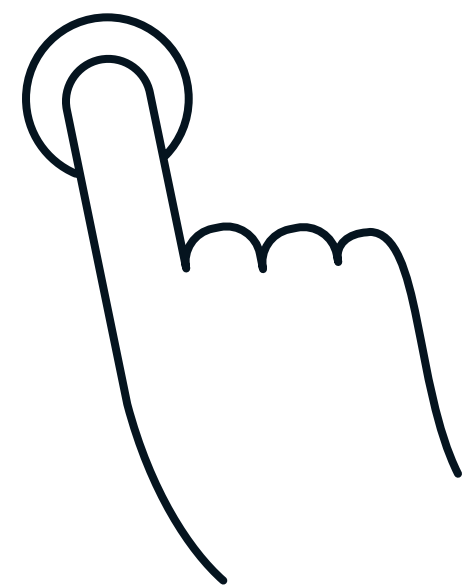
Movement that inspires

Information at your fingertips.

02

This mobile brochure allows you to discover the main features and highlights of the new Kia EV3 conveniently using your mobile phone. If you require more detailed information on any topic at any point while you browse, simply click the button and you'll be directed to the EV3's full product page, which can also be easily shared and printed.

Discover More >



Movement that inspires.

03



We believe in movement that inspires. Design that makes a statement. Technology that changes the game. The pioneering EV3 is charged to bring all this to the compact EV SUV segment. Impactful flagship styling in an ideally sized package. Best-in-class all-electric range. Kia's most sustainable cabin yet. And a host of advanced tech to elevate every aspect of your drive.

01
Design

02
Charging & Range

03
Sustainability

04
Safety Features

05
Connectivity

06
Platform

07
Powertrain &
Trimlines

08
Accessories

09
Body Color

10
Rims & Dimension



— Design

Thoughtfully styled.
Ideally sized.



Robust & purposeful.

Muscular sophistication with a self-assured stance. Emphasized upfront by the wide presence of the clean-surface bonnet.



Signature lighting.

The confident LED Star Map light signature features the latest ultra-slim Daytime Running Lights (DRLs).



Dynamic silhouette.

The long, sloping roofline flows seamlessly into a hatchback-style tailgate. With strong muscular lines and bold wheel-arches.



Wide, futuristic tailgate.

Simplified, geometric rear lamps with Kia's latest Star Map design echo the overall high-tech, assertive look from behind.

[Discover More >](#)



“Living Space” cabin appeal.

Spacious, minimalist and nature inspired, the interior is filled with thoughtful design details to maximise your comfort.





Large interior displays.

In keeping with the serene ambience, the floating 30" widescreen display provides an intuitive, immersive experience.





Class-leading trunk space.

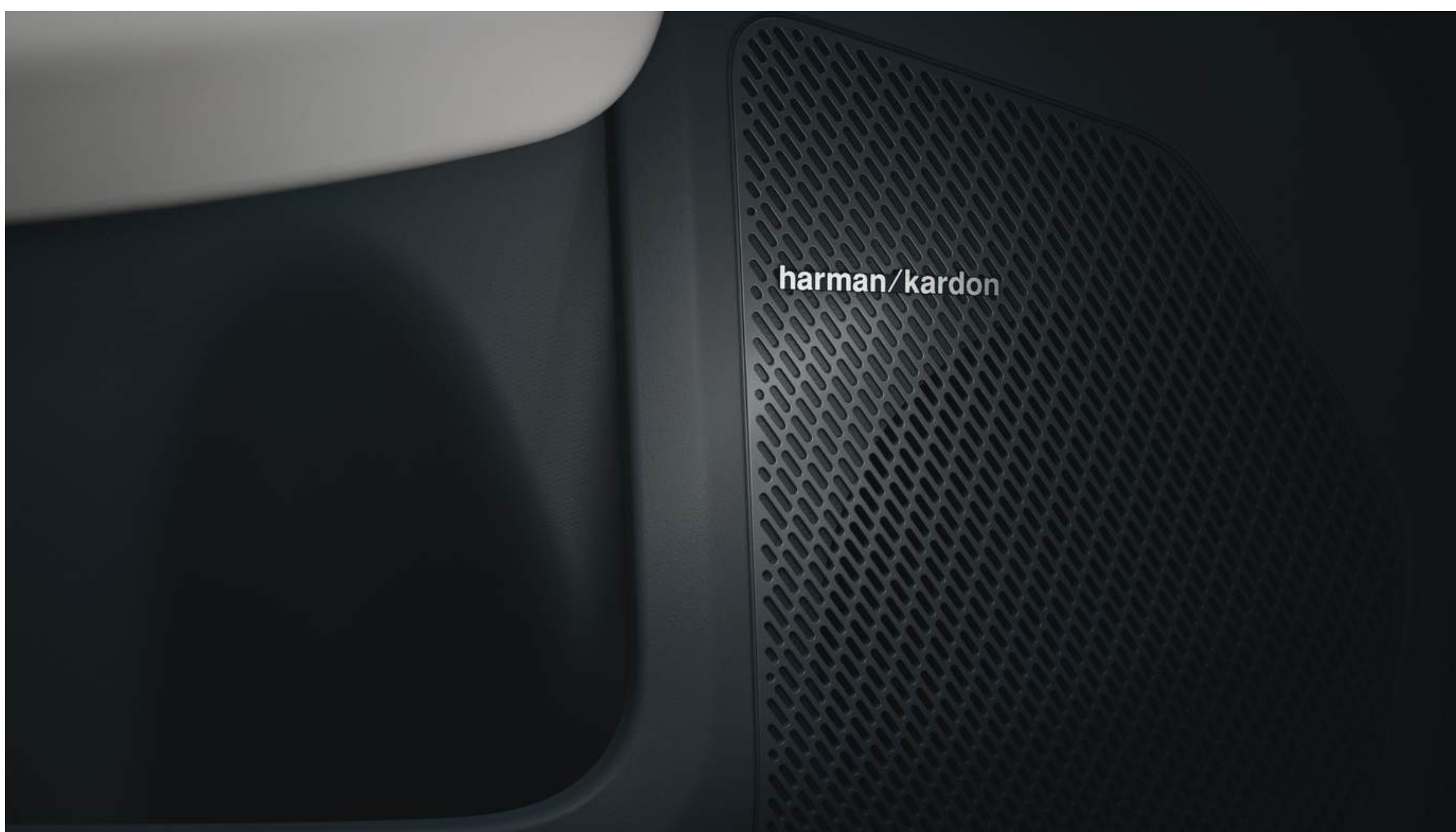
Enjoy generous cabin dimensions, 460 litres of luggage space and 25 litres of convenient trunk storage.





Immersive in-car entertainment.

Enjoy your favourite content while you charge on the ultra-wide display, with the Harman Kardon Sound System.



[Discover More >](#)



— Charging & Range

Extra-long journeys.
Ultra-fast charging.

Go further. Do more.

Enjoy full confidence to tackle long journeys with an all-electric range of up to 600km*. And speedy charging of 10-80 percent in approximately 31 minutes*.



Your EV3: A portable energy source.

Turn your EV3 into an energy provider, thanks to Vehicle-to-Load (V2L) charging. Letting you power external devices like laptops or hairdryers.

[Discover More >](#)

— Sustainability

Sustainability in every cabin detail.





Kia's 10 Must-Have Items.

Kia has defined 10 Must-Have Items to guarantee the implementation of sustainability at scale. The EV3 features all 10 of these upcycled, plant-based and extra-comfortable materials.

- **Seating in recycled PET fabric**
- **Carpet made from recycled fishing nets**
- **Door trims made from Bio TPO**

Discover More >



— Safety

Intuitive safety features.

Innovated for a new standard of protection and assistance: Advanced safety technologies include anti-collision assistants that detect collision risks before they occur. Highway assistants to keep you safe at higher speeds. And parking assistants to make light work of parking. Learn more about all safety features.

[Watch Animations >](#)

Connectivity

Create your own inspiring journey.





Connect to more.

Benefit from cutting-edge infotainment and the advanced EV Route Planner while driving. Relax, work and be entertained while charging. All on the widescreen triple display.



Upgrades.

Get even more out of your Kia experience, with upgrades for new upcoming feature releases you can access at the touch of a button. Available for purchase via the Kia Connect Store.

[Discover More >](#)



Platform

Power meets sophistication.

The EV3 is designed to take you further and go beyond your expectations in every way. The **Electric Global Modular Platform (E-GMP)** delivers a host of benefits that will elevate your driving experience. Like the generously sized cabin, athletic performance and best-in-class all-electric range.

[Discover More >](#)

Powertrain & Trimlines

Discover your perfect fit.

The EV3 features a state-of-the-art front-wheel drive electric powertrain and three trim variants, so you can choose the option that's just right for you and your lifestyle.

EV3 SR 2WD
EV3 GT-Line LR 2WD
EV3 LR 2WD



Discover More >



— Accessories

Stylish. Functional. Personal.

You can have it all with Kia Genuine Accessories. Innovated and custom-designed to keep your EV3 protected, extra-comfortable, looking its best, and ready for any adventure.

[Check Options >](#)

Body Colors

Make it yours.

Color Line-up



Clear White



Snow White Pearl



Ivory Silver



Aurora Black Pearl



Shale Grey



Aventurine Green



Frost Blue



Terra Cotta



Ivory Silver Matte

[Configure Now >](#)

* GT-line only

Rims & Dimension

Rims



17" Alloy Wheel

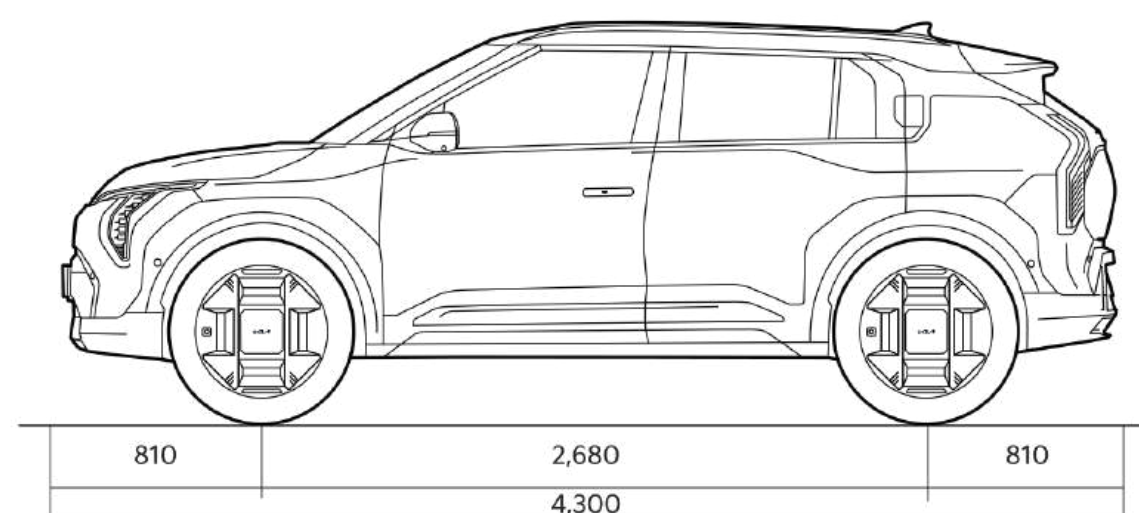
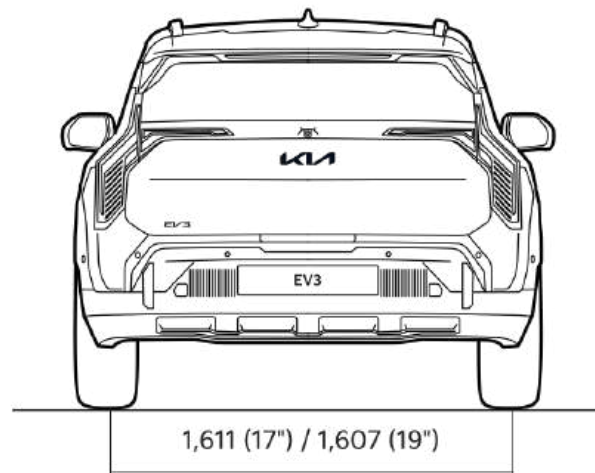
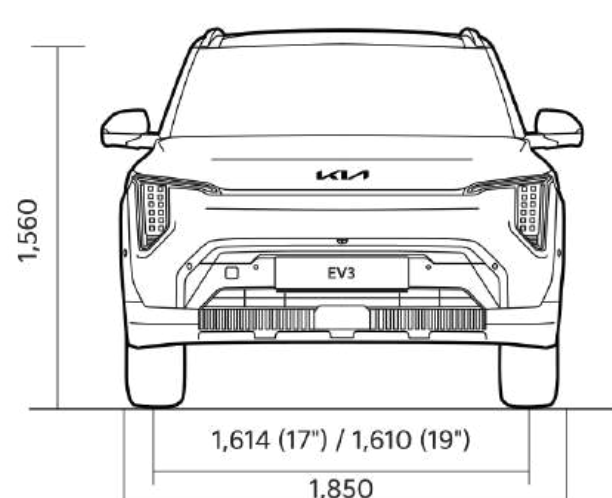


19" Alloy Wheel

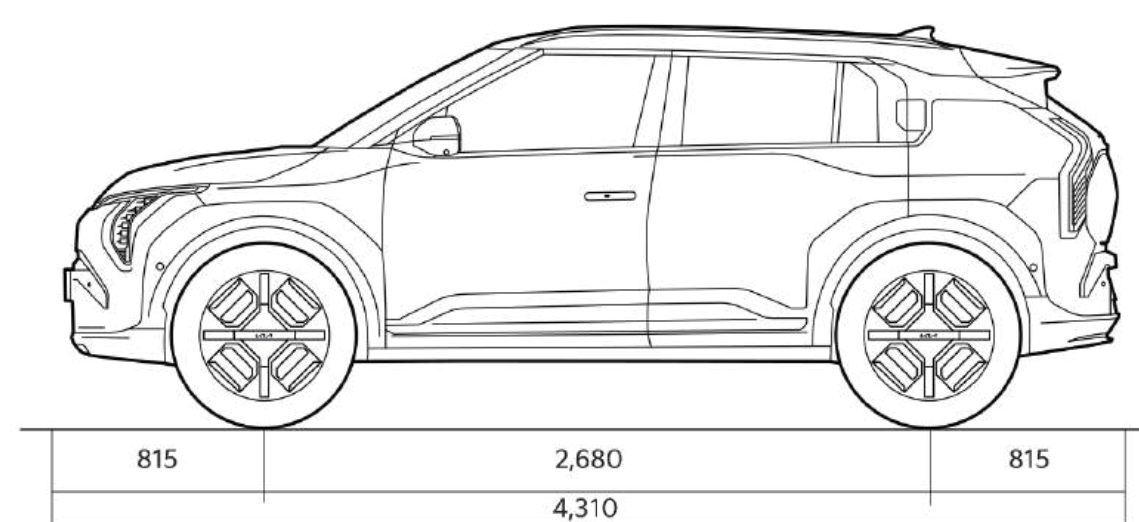
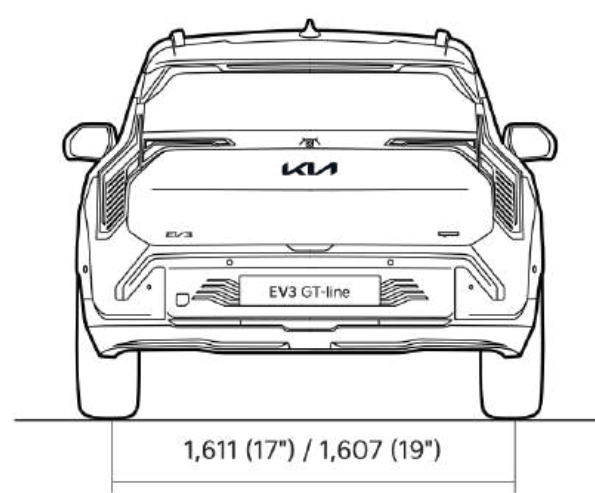
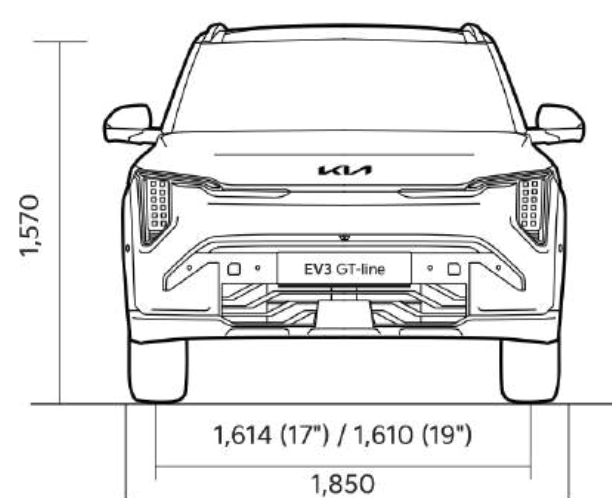


19" Alloy Wheel

Dimension Sketch



EV3 Baseline



EV3 GT-line

[Configure Now >](#)

Want to know more?

EV3 Experience
Landing Page.

[Discover More >](#)

EV3
Specification
Page.

[Discover More >](#)

Test Drive
Registration.

[Register Now >](#)

Legal Disclaimer

Static and moving imagery are used for illustration purposes only. Final product may show differences in comparison to the images employed. The models and specifications shown in this page may vary from the models available in your market. Please contact your local Kia dealer for the most recent information.

1. Maximum charging speed

In order to achieve the maximum charging speed, EV3 must be charged at an 400-volt electric vehicle charger that delivers at least 150kW of electricity. The additionally added real-life range within 15 minutes is depending on different factors including the current state of charge of the battery, battery temperature and the charger used. It is also defined by the individual driving style and energy consumption. The acceleration time of 7.5 seconds corresponds to the standard range battery. In the case of the long-range battery, the acceleration time will be 7.7 seconds.

Electricity consumption (kWh/100 km) combined from 14.9 to 16.2, CO₂-Emission (g/km) combined is 0. Electricity consumption combined: [14.9-16.2] kWh/100 km; CO₂-emissions combined: [0] g/km; CO₂-class: [5]. The specified consumption and emission values were determined according to the legally prescribed measurement procedures (EU) 2017/1153. The above values have been tested in the Worldwide harmonized Light vehicle Test Procedure (WLTP); however, may not reflect real-world driving conditions. Actual energy consumption during driving may vary.

2. Driving Range

The range was determined according to the standardized EU measurement procedure (WLTP) based on 81.4Wh battery pack, rear wheel drive, and 17" wheels. The individual driving style and other factors, such as speed, outside temperature, topography and the use of electricity-consuming devices/units, have an influence on the real-life range and can possibly reduce it.

3. 7-year battery warranty

Kia high voltage lithium-ion battery-units in electric vehicles (EV), hybrid electric vehicles (HEV) and plug-in hybrid electric vehicles (PHEV) are built to have a long life. These batteries are covered by the Kia warranty for a period of 7 years from initial registration or 150,000 km, whichever comes first. For low voltage batteries (48V and 12V) in mild-hybrid electric vehicles (MHEV), the Kia warranty covers a period of 2 years from initial registration regardless of mileage. For EVs and PHEVs only, Kia guarantees a 70% capacity of the battery. Capacity reduction of the battery in HEV and MHEV is not covered by the warranty. To minimize possible capacity reduction, follow the instructions at [...] or consult the Owner's Manual. Find more information about Kia warranty at [kia.com].

4. 7-year warranty

Kia warranty covers a period of 7 years from initial registration or 150,000 km, whichever comes first. Valid in all EU member states (plus Norway, Switzerland, Iceland & Gibraltar) Deviations according to the valid guarantee conditions, e.g. for battery, paint and equipment, subject to local terms and conditions. Find more information about Kia warranty at [kia.com].

5. Kia Connect Services

Kia Connect Services are provided by Kia Connect GmbH, registered under the registration number HRB 112541, Theodor-Heuss-Allee 11, 60486 Frankfurt am Main.

6. Free 7-year Kia Connect services

The Services are provided free of charge for a period of 7 years commencing on the day the vehicle is sold to the first owner of the vehicle, i.e. the point in time the initial purchase agreement becomes effective. Vehicles can receive the latest Software updates for map and navigation by accepting it when it is notified in the head unit. This service is only available for users that have activated Kia Connect in-car services. We reserve the right to propose additional services in the future subject to separate terms of use. We reserve the right to propose additional services in the future subject to separate terms of use. For the full list of services available, refer to <https://connect.kia.com/uk/kia-connect-legal-document/> available options.

7. Over-the-Air updates

For new vehicles sold from May 2021 and that have OTA-enabled navigation software, Kia offers, per vehicle, two free-of-charge updates of the maps in the vehicle's navigation system and of the Head Unit software using the so-called "over-the-air" method ("OTA Updates"). Once the two free-of-charge OTA Updates have been consumed, you will be able to get updates of the maps in the vehicle's navigation system and of the Head Unit software only (i) by accessing the following web page <https://update.kia.com/EU/E1/Main> or (ii) at a dealership.

8. Amazon Music Copyright

Amazon, Amazon Music, and all related marks are trademarks of Amazon.com, Inc. or its affiliates.

9. The Music Streaming service

The Music Streaming service is part of the regular Kia Connect Live Services but has a limited free period of one (1) month starting from the activation date in the Kia Connect Store. Once the trial period expires, the customer will be informed about the available options. Availability of content provider is subject to country and customer having an existing account and/or subscription with the respective content provider.

10. Streaming Services

The Music Streaming service is part of the regular Kia Connect Live Services but has a limited free period of one (1) month starting from the activation date in the Kia Connect Store. Once the trial period expires, the customer will be informed about the available options. Availability of content provider is subject to country and customer having an existing account and/or subscription with the respective content provider.

11. Safety

The use of assistance and safety systems does not release the driver from the obligation to constantly monitor traffic and control the vehicle. Drivers must still adapt their driving behavior to their personal driving skills, the legal regulations and the general road and traffic conditions.

Kia Europe GmbH

Theodor-Heuss-Allee 11

60486 Frankfurt am Main

Germany

00.00000



Movement that inspires